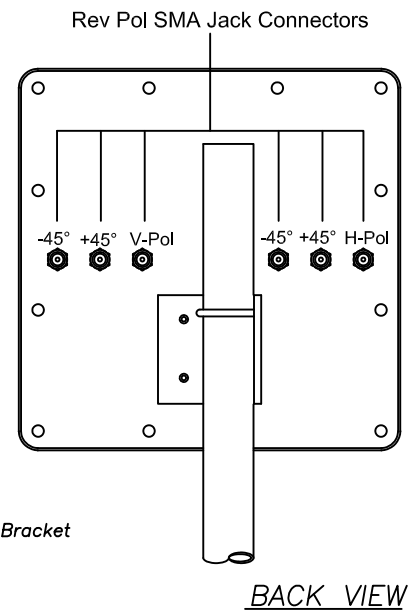
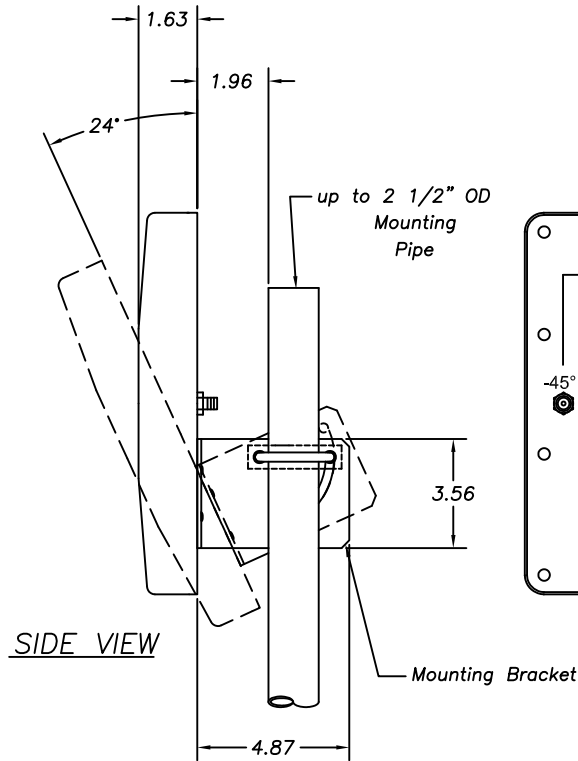
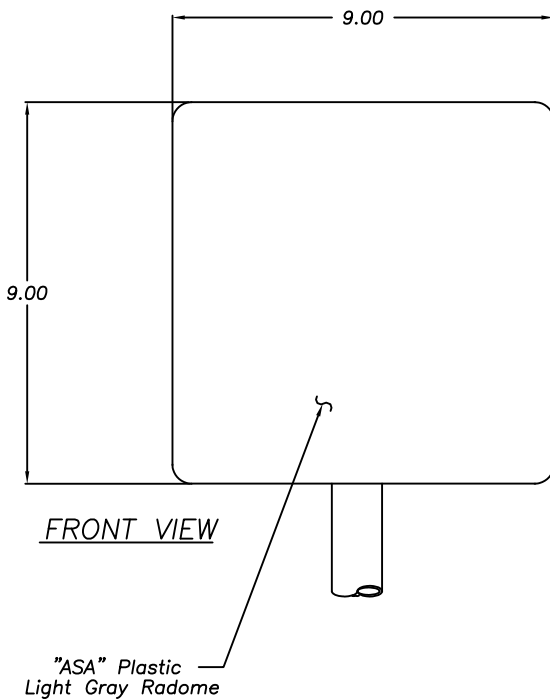
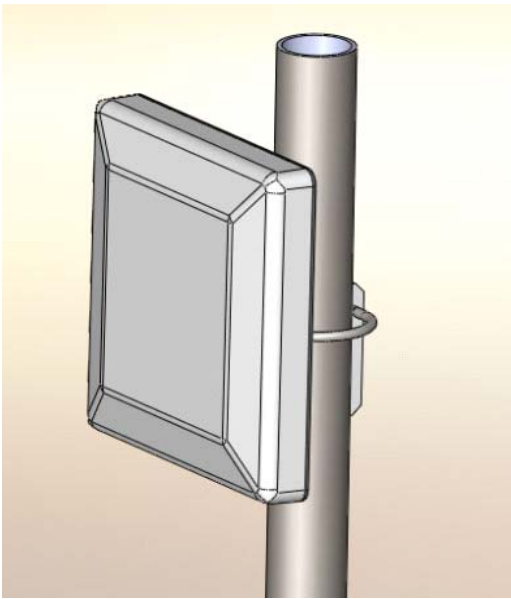


# PND10-W-AC6-GRY

**Quad-Polarization MIMO 6x6, 8/10 dBi  
2.4-2.5/4.9-6.0 GHz, Directional Antenna  
for 802.11ac applications**



## Antenna Specifications:

**Frequency/Polarization:**

- Connector #1: 2.4–2.5/4.9–6.0 GHz, Horizontal
- Connector #2: 2.4–2.5/4.9–6.0 GHz, +45° Slant
- Connector #3: 2.4–2.5/4.9–6.0 GHz, –45° Slant
- Connector #4: 2.4–2.5/4.9–6.0 GHz, Vertical
- Connector #5: 2.4–2.5/4.9–6.0 GHz, +45° Slant
- Connector #6: 2.4–2.5/4.9–6.0 GHz, –45° Slant

**Gain:**

- 8 dBi, 2.4–2.5 GHz, 104° Azimuth x 63° Elevation
- 10 dBi Typ. 4.9–6.0 GHz, 44° Azimuth x 47° Elevation

**VSWR:** <2:1

**Front to Back Ratio:** 20 dB Minimum

**Antenna Isolation:** 23 dB Minimum

**Radome Material:** Light Gray "ASA" Plastic

**Nominal Impedance:** 50 OHM Nominal

**Maximum Power:** 20 Watts

**Connector:** 6 x Rev Pol SMA Jacks

**Mounting:** Standard Swivel Tilt Mounting

**Operating Temperature:** –40°C to +85°C

**MobileMark**  
antenna solutions

US OFFICE & HEADQUARTERS: 1140 W THORNDALE AVE. ITASCA, IL 60143  
TEL: (847) 671-6690 \* FAX (847) 671-6715

UK OFFICE: 8 MIRAS BUS PARK, KEYS PARK ROAD, HEDNESFORD WS12 2FS, UK.  
UK TEL: (+44) 1543-459555 FAX (+44) 1543-459545

VISIT OUR WEBSITE AT WWW.MOBILEMARK.COM

4/23/14